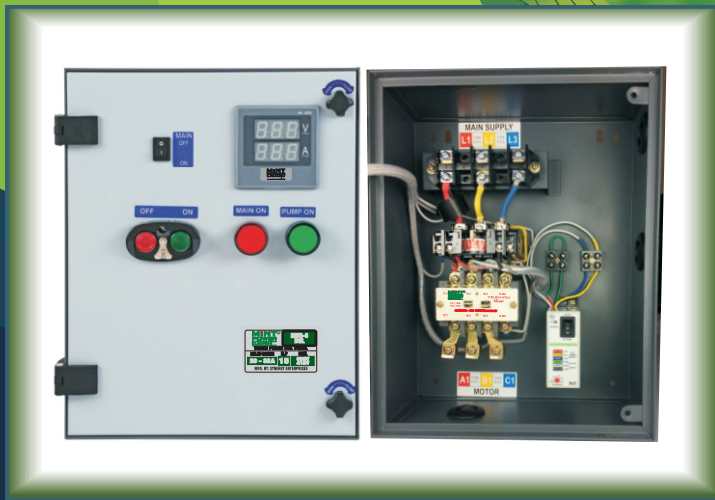


MINT[®]
POWER
ELECTRIC

MUG SERIES



MUG - 6 DOL



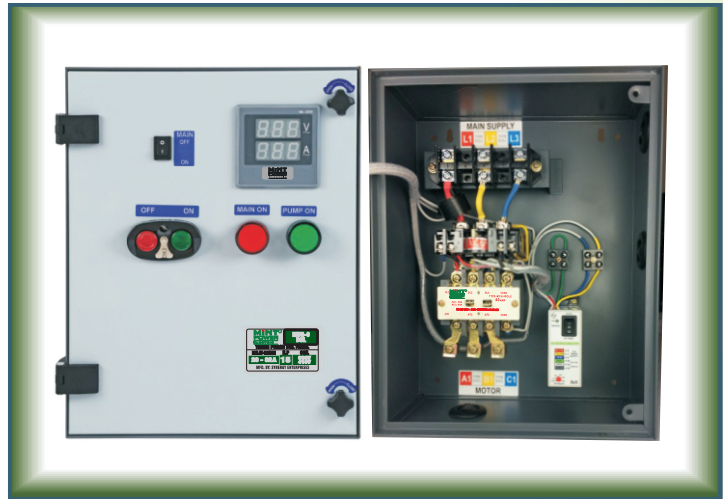
MUG - 10 DOL

**POWERING PROGRESS
WITH INNOVATION**

www.mintpowerelectric.com



MUG - 6 DOL



HS CODE 8536

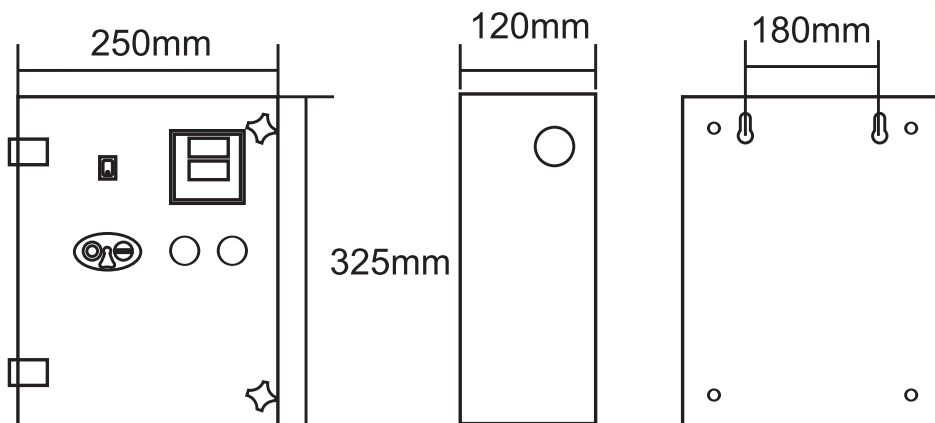
TYPE. MUG-6 SUBMERSIBLE PUMP CONTROLLER

CONTROL UNIT WITH VOLT-AMPERE METER AND SPP.

CAT.NO.	Maximum Submersible Pump Rating at 3Ø,415V,50Hz	Relay Max. Range (A)	Contactor Type-MCH-4P	Coil Voltage 50Hz	Std. Pkg. Nos.
MUG-6	3HP	4-6.5A	20A	415V	4Pcs
	5HP	6-10A	20A	415V	4Pcs
	6HP/7.5HP	9-14A	20A	415V	4Pcs
	10HP	13-21A	20A	415V	4Pcs
	12.5HP	20-32A	25A	415V	4Pcs
	15HP	20-32A	32A	415V	4Pcs
	15HP(H)	20-32A	40A	415V	4Pcs

Features

- Protection from Overload Conditions
- Protection from Single Phasing
- Protection from Phase Reversal
- Protection from Phase Unbalance
- Auto Restart (with variable 30 Sec - 5 Min ON delay)
- Power ON & Pump ON indication
- Dual Voltmeter & Ammeter
- Easy replacement of Spares

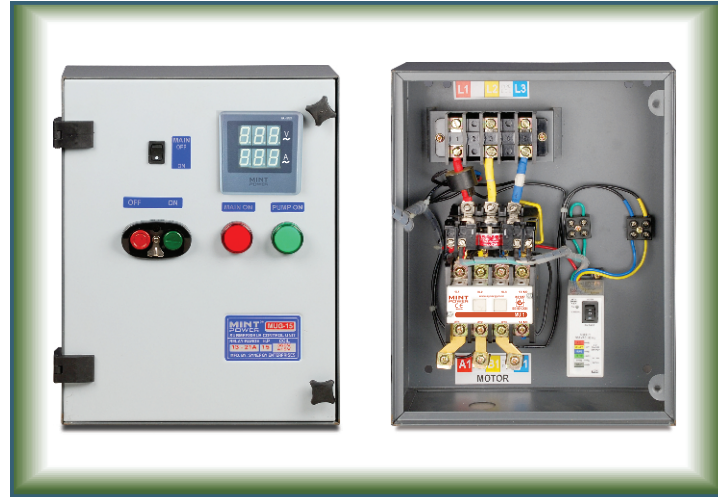


MUG - 6 DOL

	MU - G6 DOL
Rating	Up to 6HP, 415V, 3Ø
Contactors/AC3/AC1	MCH-3H 20A,16A / 25A
Contactors Electrical Life - AC3	1 Million
Mechanical Life	10 Million
Coil Voltage	415V-N(220V-460V) Wide band
Overload Relay	MK1
Relay Range	4 - 6.5A, 6 - 10A and 9 - 14A
Relay Type	Thermal Bimetallic Relay
Relay Trip Class	Class 10A
Pick-up Voltage	60% to 110% of U _c
Drop-off Voltage	20% to 50% of U _c
Measurement Offered	Ammeter (0-60A) Voltmeter (0-500 V)
Additional Protection Offered	Single Phasing, Phase Reversal, Phase unbalance (55 ± 5 V)
Protection Device (electronic)	SPPR type Sz5
Indicating Lamps	Supply ON Pump ON
Indicating Lamp Type	LED (415 V)
Rated Insulation Voltage	690 V
Rated Operational Voltage	360 V
Rated Impulse Withstand Voltage	8 kV
HV withstand capacity (for 60 Sec)	2 kV
Service Temperature	-5°C to 55°C
Terminal Capacity (Terminal Blocks)	10 sq.mm. with Lug
No.of full start	30 operations per Hour
Back-up Protection	Type 2 with HF fuses
Power Wiring	2.5 sq.mm
Control Wiring	1 sq.mm.
Degree of Protection	IP54 (Suitable for Humid Dusty and Hot Environment)
Copper Contacts Material	ETP Grade Copper 99.9% Pure
Hardware Plating	Zinc plated hardware with better corrosion resistance
Impact Capacity	IK6
Provision to connect Dry-run protection unit	Yes
Remote Operation	Possible using Mobile through externally connected M-POWER+ GSM Module



MUG -10 DOL



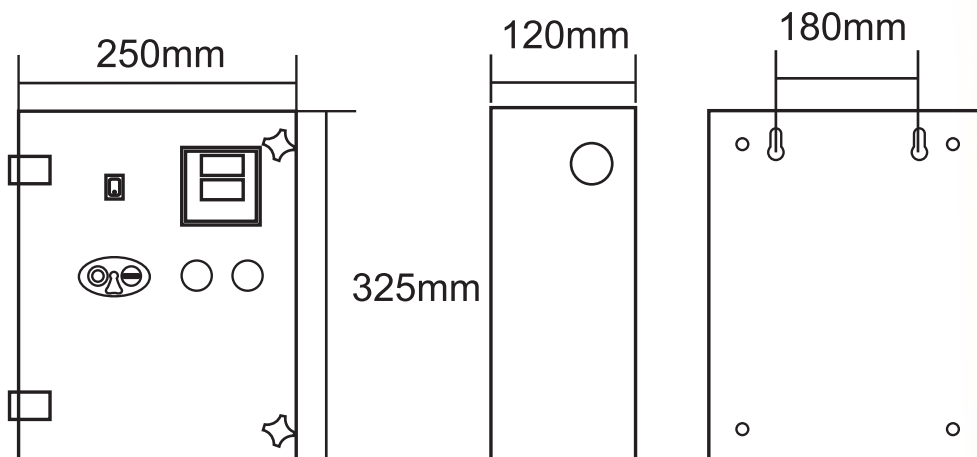
HS CODE 8536

TYPE. MUG-10 SUBMERSIBLE PUMP CONTROLLER
CONTROL UNIT WITH VOLT-AMPERE METER AND SPP.

CAT.NO.	Maximum Submersible Pump Rating at 3Q,415V,50Hz	Relay Max. Range (A)	KW	Cont. Type	Coil Voltage 50Hz	Std. Pkg. Nos.
MUG-10	3HP	4 - 6.5 A	2.2	MU1	415V	4Pcs
	5HP	6 - 10 A	3.7	MU1	415V	4Pcs
	6HP/7.5HP	9 - 14 A	5.5	MU1	415V	4Pcs
	10HP	13-21A	7.5	MU1	415V	4Pcs
	10HP(H)	13-21A	7.5	MU2	415V	4Pcs
	15HP	20-32A	11	MU2	415V	4Pcs
	15HP(H)	20-32A	11	MU3	415V	4Pcs
	20HP	28-42A	15	MU4	415V	4Pcs

Features

- Protection from Overload Conditions
- Protection from Single Phasing
- Protection from Phase Reversal
- Protection from Phase Unbalance
- Easy replacement of Spares
- Wide band coil operates from 50% to 110% of rated coil voltage
- Auto Restart (with variable 30 Sec - 5 Min ON delay)
- Power ON & Pump ON indication
- Dual Voltmeter & Ammeter



MUG - 10 DOL

	MU - G10	MU - G10H
Rating	3HP to 10HP, 415V, 3Ø	10HP(H) to 15HP, 15HP(H),20HP
Contactors/AC3/AC1	MU1/16A/55A	MU2/25A/63A,MU3/32A/63A,MU4/40A/70A
Contactors Electrical Life - AC3	1 Million operations	1 Million operations
Mechanical Life	10 Million operations	10 Million operations
Coil Voltage	415 V, 360 V	415 V, 360 V
Overload Relay	TYPE-MU	TYPE-MU
Relay Range	4-6.5A, 6-10A, 9-14A and 13-21A	13 - 21A, 20 - 32A and 28 - 42A
Relay Type	Thermal Bimetallic Relay	Thermal Bimetallic Relay
Relay Trip Class	Class 10A	Class 10A
Pick-up Voltage	50% to 110% of U _c	50% to 110% of U _c
Drop-off Voltage	25% to 35% of U _c	25% to 35% of U _c
Measurement Offered	Ammeter (0-60A) Voltmeter (0-500 V)	Ammeter (0-60A) Voltmeter (0-500 V)
Additional Protection Offered	Single Phasing, Phase Reversal, Phase unbalance (55 ± 5 V)	Single Phasing, Phase Reversal, Phase unbalance (55 ± 5 V)
Protection Device (electronic)	SPPR type Sz5	SPPR type Sz5
Indicating Lamps	Supply ON Pump ON	Supply ON Pump ON
Indicating Lamp Type	LED (415 V)	LED (415 V)
Rated Insulation Voltage	690 V	690 V
Rated Operational Voltage	360 V	415 V
Rated Impulse Withstand Voltage	8 kV	8 kV
HV withstand capacity (for 60 Sec)	2 kV	2 kV
Service Temperature	-5°C to 55°C	-5°C to 55°C
Terminal Capacity (Terminal Blocks)	16 sq.mm. with Lug	16 sq.mm. with Lug
No.of full start	30 operations per Hour	30 operations per Hour
Back-up Protection	Type 2 with HF fuses	Type 2 with HF fuses
Power Wiring	4 sq.mm.	10 sq.mm.
Control Wiring	1 sq.mm.	1 sq.mm.
Degree of Protection	IP54 (Suitable for Humid Dusty and Hot Environment)	IP54 (Suitable for Humid Dusty and Hot Environment)
Copper Contacts Material	ETP Grade Copper 99.9% Pure	ETP Grade Copper 99.9% Pure
Hardware conforms to	Salt-spray test (144 hrs.)	Salt-spray test (144 hrs.)
Hardware Plating	Zinc plated hardware with better corrosion resistance	Zinc plated hardware with better corrosion resistance
Impact Test	IK6	IK6
Provision to connect dry run protection unit	Yes	Yes
Remote Operation	Possible using Mobile through externally connected M-POWER+ GSM Module	Possible using Mobile through externally connected M-POWER+ GSM Module



Synergy Enterprises

MANUFACTURERS OF:
DEFINITE CONTACTOR, POWER CONTACTOR, SUBMERSIBLE PANEL
CB-303B, RING ROAD, NARAINA, NEW DELHI - 110028
TEL.: +91-9811456067



www.mintpowerelectric.com



info@mintpowerelectric.com

www.mintpowerelectric.com