

MINT[®]
POWER
ELECTRIC

**POWERING PROGRESS
WITH INNOVATION**

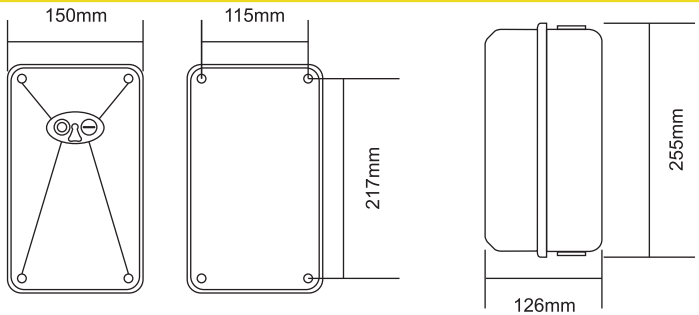
MU DOL SERIES



DIRECT ON-LINE THREE PHASE MOTOR STARTER



DIRECT ON-LINE SINGLE PHASE MOTOR STARTER

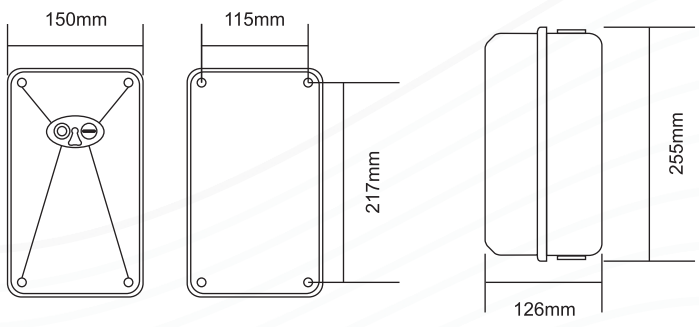


HS CODE 8536

**MU1, MU2, MU3, MU4 - DIRECT ON-LINE THREE PHASE MOTOR STARTER
(MOTOR RATING AC-3 DUTY, 415V, 50HZ, 3-PH)**



CAT.NO.	Maximum Submersible Pump Rating at 3Ø, 415V, 50Hz	Relay-Range (A)	Coil Voltage Range 240-415V	Std. Pkg. Nos.
MU1-7.5HP	7.5HP	9 - 14A	415V	8Pcs
MU1-10HP	10HP	13 - 21A	415V	8Pcs
MU2-12.5HP	12.5HP	20 - 32A	415V	8Pcs
MU2-15HP	15HP	20 - 32A	415V	8Pcs
MU3-15HP(H)	15HP(H)	20 - 32A	415V	8Pcs
MU4-20HP	20HP	28 - 42A	415V	8Pcs



HS CODE 8536

**MU1, MU2, MU3, MU4 - DIRECT ON-LINE SINGLE PHASE MOTOR STARTER
(MOTOR RATING AC-3 DUTY, 230V, 50HZ, 1-PH)**



CAT.NO.	Maximum Submersible Pump Rating at 1Ø, 230V, 50Hz	Relay-Range (A)	Coil Voltage Range 140-240V	Std. Pkg. Nos.
MU1-1HP(SP)	1HP(SP)	6 - 10A	240V	8Pcs
MU1-2HP(SP)	2HP(SP)	9 - 14A	240V	8Pcs
MU1-3HP(SP)	3HP(SP)	13 - 21A	240V	8Pcs
MU2-3HP(H)(SP)	3HP(H)(SP)	20 - 32A	240V	8Pcs
MU4-5HP(SP)	5HP(SP)	28 - 42A	240V	8Pcs

Synergy Enterprises

MANUFACTURERS
DEFINITE CONTACTOR,
POWER CONTACTOR, SUBMERSIBLE PANEL
CB-303B, RING ROAD, NARAINA, NEW DELHI - 110028
TEL.: +91-9811456067



www.mintpowerelectric.com
info@mintpowerelectric.com