



POWERING PROGRESS
WITH INNOVATION

MCH - 2PB



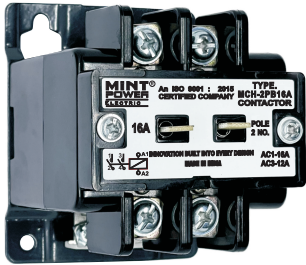
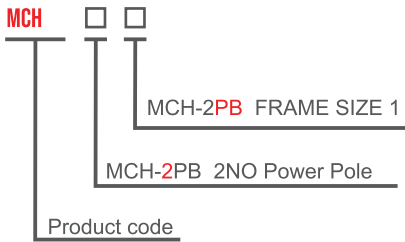
MCH-3H



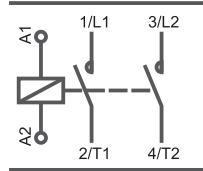
MCH-4H



1. CAT. NO. DESIGNATION



2. MCH-2PB



MCH - 2PB, 2 POLE CONTACTOR, 2NO POWER POLE CONTACT.

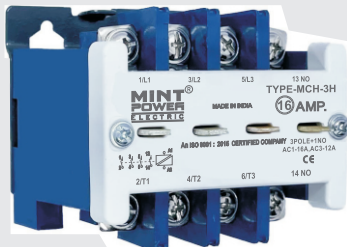
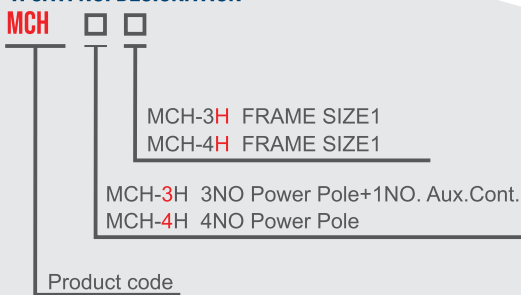
COIL VOLTAGE ORDER CODE-

M220V, UW300V, N1350V, N2400V, N415V 50HZ/60HZ

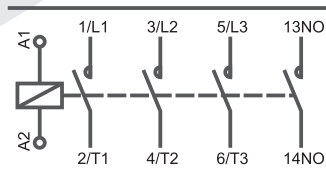
Cat. No.	AC3 Rating (A)	AC1 Rating (A)	Coil Voltage Range 140-220v 50/60Hz	Std. Pkg. Nos
MCH-2PB 10A	8A	16A	M 220V	48 Pcs.
MCH-2PB 16A	10A	16A	M 220V	48 Pcs.
MCH-2PB 20A	16A	25A	M 220V	48 Pcs.
MCH-2PB 25A	25A	32A	M 220V	48 Pcs.
MCH-2PB 32A	32A	40A	M 220V	48 Pcs.
MCH-2PB 40A	40A	45A	M 220V	48 Pcs.

- SUITABLE FOR SINGLE & THREE PHASE PUMP AND MOTOR APPLICATIONS
- SUITABLE FOR LOW VOLTAGE CONDITION
- HIGH TEMPERATURE WITHSTAND CAPABILITY
- AVAILABLE WITH WIDE BAND COIL
- EASY INSPECTION AND REPLACEMENT OF COILS AND CONTACTS
- ROBUST DESIGN SUITABLE FOR TROPICAL CONDITIONS

1. CAT. NO. DESIGNATION



2. MCH-3H



MCH-3H, 4POLE CONTACTOR

THREE PHASE/SINGLE PHASE 3NO POWER POLE + 1NO AUX.CONTACT

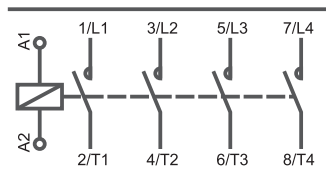
COIL VOLTAGE ORDER CODE-

U5-240, UW-300V, N1350V, N2400V, N-415V 50HZ/60HZ

Cat. No.	AC3 Rating (A)	AC1 Rating (A)	Coil Voltage 50Hz	Auxiliary Cont.	Std. Pkg. Nos
MCH-3H 10A	8A	10A	N 415V	1NO	48 Pcs.
MCH-3H 16A	10A	16A	N 415V	1NO	48 Pcs.
MCH-3H 20A	16A	25A	N 415V	1NO	48 Pcs.
MCH-3H 25A	25A	32A	N 415V	1NO	48 Pcs.
MCH-3H 32A	32A	40A	N 415V	1NO	48 Pcs.
MCH-3H 40A	40A	45A	N 415V	1NO	48 Pcs.



3. MCH-4H



MCH-4H, 4POLE CONTACTOR

THREE PHASE/SINGLE PHASE 4NO POWER POLE CONTACTS

COIL VOLTAGE ORDER CODE-

U5-240, UW-300V, N1350V, N2400V, N-414V 50HZ/60HZ

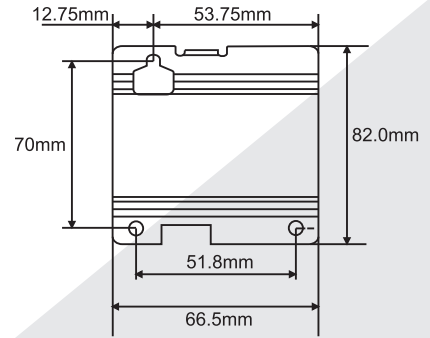
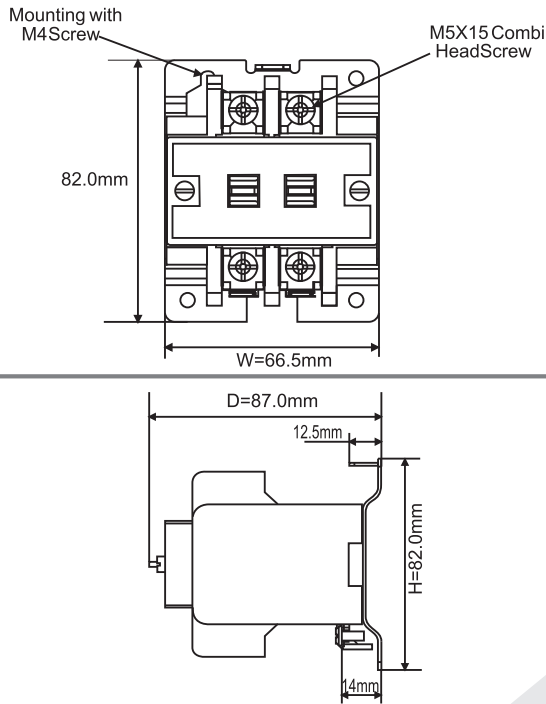
Cat. No.	AC3 Rating (A)	AC1 Rating (A)	Coil Voltage 50/60Hz	Std. Pkg. Nos
MCH-4H 20A	16A	25A	N 415V	48 Pcs.
MCH-4H 25A	25A	32A	N 415V	48 Pcs.
MCH-4H 32A	32A	40A	N 415V	48 Pcs.
MCH-4H 40A	40A	45A	N 415V	48 Pcs.

CONTACTOR

DIMENSIONAL DRAWINGS

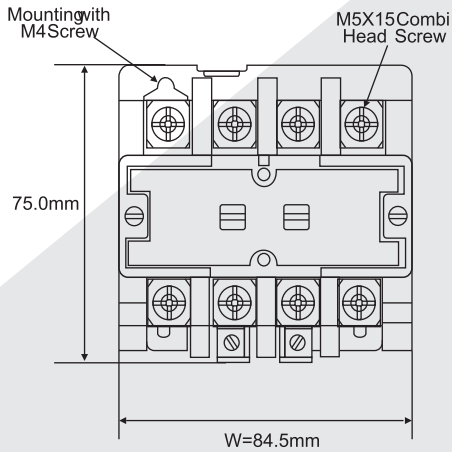
MOUNTING ARRANGEMENT

MCH - 2PB, 2 POLE CONTACTOR

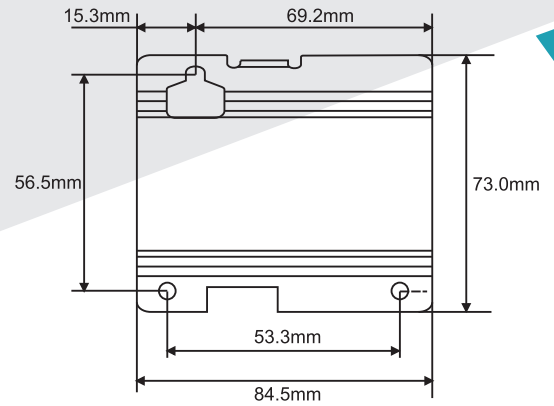
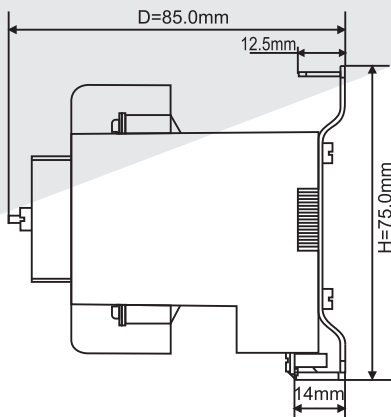


ALL DIMENSIONS ARE IN MM.

MCH-3H, 4POLE CONTACTOR



MCH-4H, 4POLE CONTACTOR



ALL DIMENSIONS ARE IN MM.

WWW.MINTPOWERELECTRIC.COM



Synergy Enterprises

MANUFACTURERS OF:
DEFINITE PURPOSE CONTACTOR, POWER CONTACTOR
SUBMERSIBLE CONTROL PANELS

CB-303B, RING ROAD, NARAINA, NEW DELHI - 110028
TEL.: +91-9811456067



www.mintpowerelectric.com



info@mintpowerelectric.com

CE

